



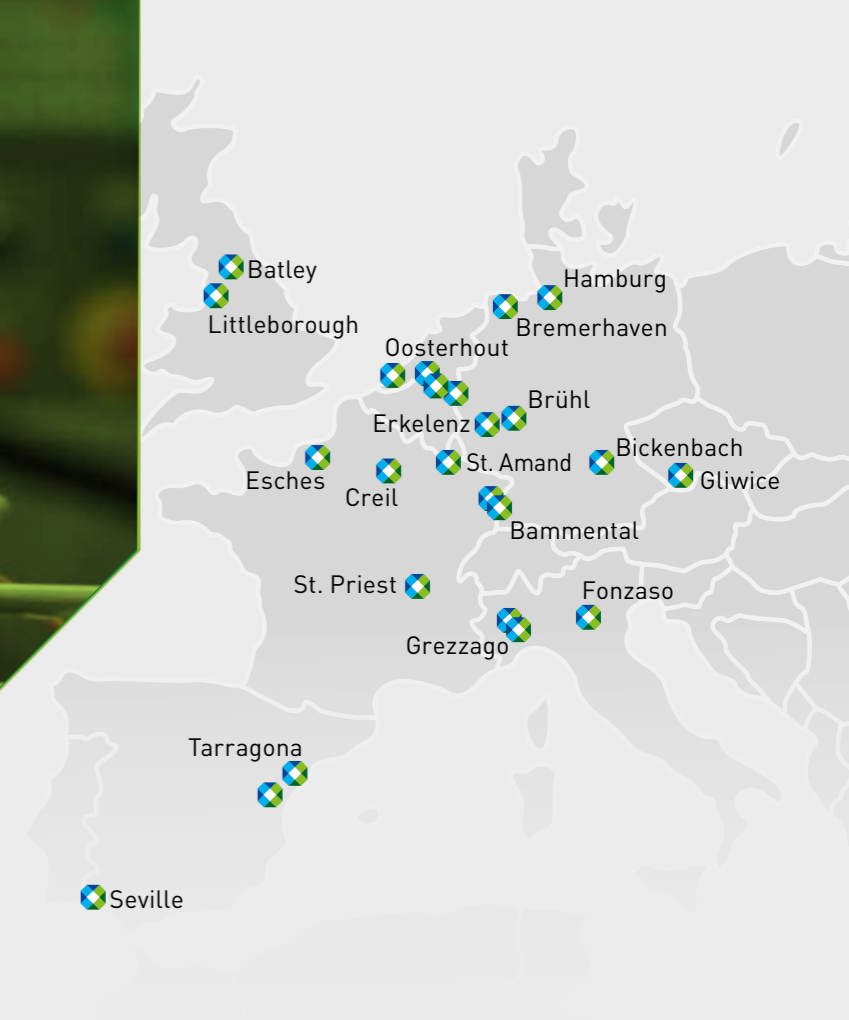
## MAUSER Bottles & Cans Program – A perfect fit for great logistics.

Quality, security, innovation and sustainability included!



REDEFINING SUSTAINABILITY

-  **FACILITIES**  
180+
-  **TEAM MEMBERS**  
11,000+
-  **GEOGRAPHIC FOOTPRINT**  
5 CONTINENTS  
20+ COUNTRIES



## About MAUSER Packaging Solutions

A global leader in packaging solutions and services, MAUSER Packaging Solutions (MPS) supplies metal, plastic, fiber, and hybrid packaging of all sizes to numerous industries worldwide.

### True sustainability at scale

Our unparalleled, innovative solutions cover the full packaging life cycle, providing customized, environmentally friendly options that give businesses across the planet a lighter ecological footprint.

### Global reach for worldwide impact

Our network of design, manufacturing, reconditioning, and recycling facilities can deliver high-quality solutions virtually anywhere, helping to boost efficiency and achieve true global sustainability at scale.



## MAUSER Bottles & Cans Program

The MAUSER Bottles & Cans Program provides smart packaging solutions for a wide variety of chemical, petrochemical, food, and pharmaceutical products. Our specific product offering consists of:

- ▶ The MAUSER bottle range consists of narrow- and wide-neck bottles and is the right choice whenever it comes to packing and shipping small quantities or when handling highly purified or hazardous chemicals
- ▶ The MAUSER can range is a performance enabler for automotive consumer products. High shelf impact combined with countless design features makes it the preferred choice in the OEM world
- ▶ The MAUSER jerrycan program is a right solution for various filling products: it offers the right protection, convenience, and ease of use
- ▶ The MAUSER agrochemical packaging range is another example of tailor-made products and putting customer needs first

### Competences

- ▶ Mono- and multilayer as well as CoEx products with integrated barrier layer
- ▶ Various of bottle and can designs ranging from 50 ml up to 20l
- ▶ Standard products as well as customized designs
- ▶ UN-approved options
- ▶ Various product colors
- ▶ Multiple neck and cap options

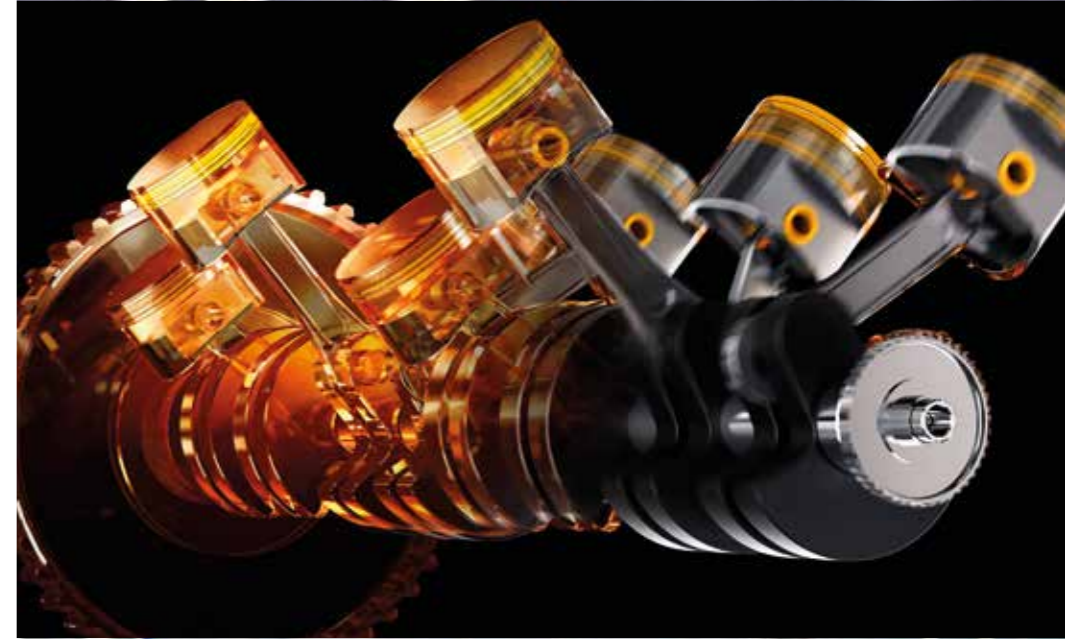
### Co-extruded blow-molded barrier packaging is ideal for:

- ▶ Pesticides
- ▶ Chemical products with a high permeation rate
- ▶ Fuel, wood oil additives
- ▶ Oxygen-sensitive media
- ▶ Paint, varnish, and solvents
- ▶ Aromas



# LUBE OIL CANS AND CONTAINERS

While our emphasis is always on delivering products safely and reliably, our range of MAUSER bottles and cans for solid, viscous, or liquid products also opens up a whole new world of branding and display possibilities.



## MAUSER's EnVision Packaging Series®

### The new MAUSER lube oil can series

Designed for your premium range of lubricants, brake fluids, and coolants.

### Modern and pleasing design

Available in 1, 4 & 5 l volumes – other sizes to come.

- ▶ Ergonomic shape with recessed grip / handle areas for optimal handling
- ▶ Large labeling area for the best visual transfer of brand and product information
- ▶ Customization / counterfeiting prevention via individual permanent markings in the labeling area (optional)
- ▶ Standard dimensions (equivalent to the MAUSER Hurrycan) for the most economical transfer within filling lines and related transport logistics
- ▶ 1 l with 38 mm opening, 4/5 l with 38 mm or 56 mm opening matching numerous common closure systems
- ▶ Visistrip and volume scale to see filling level



### Specific advantages

- ▶ Mono- and multilayer (2 or 3 layer) manufacturing technology for specific sizes
- ▶ Available in many colors and filling grades
- ▶ Fully DIN ISO 16103-2000 compliant
- ▶ Lightweight but very robust, ensuring solid product protection
- ▶ Suitable for numerous products, including lube oil, antifreeze, and brake fluid
- ▶ Large, recessed, asymmetrical panel for eye-catching customized labeling

THE NEW ENVISION  
PERSUADES WITH  
A MODERN AND  
TIMELESS  
PACKAGING  
DESIGN!





## The Hurrycan LubeOil Packaging Series

### Characteristic features

**Body:** One-piece extruded, blow-molded from HDPE with an integrated translucent viewing stripe and easy-to-read volume scale

**Standard colors:**

Body: black, anthracite, or white

Closures: black or red

**Closure systems:** Screwable 38 mm standard or nozzle version and 50 mm spout closures with tamper-evident ring

**Options:** Different colors available for bodies and closure systems.

Customized labeling applied by MAUSER, e.g. using exchangeable embossing plates



### Specific advantages

- ▶ Comprehensive product portfolio
- ▶ Mono- and multilayer (2 or 3 layer) manufacturing technology for specific sizes
- ▶ Available in many colors and filling grades
- ▶ Fully DIN ISO 16103-2000 compliant
- ▶ Lightweight but very robust, ensuring solid product protection
- ▶ Suitable for numerous products, including lube oil, antifreeze, and brake fluid
- ▶ Large, recessed, asymmetrical panel for eye-catching customized labeling



### Technical specifications

Nominal volume (ml)	100	250	500	1000	1500	2000	4000	5000
Brimful volume (ml)	130	330	620	1150	1680	2200	4700	5750
Weight (g)	14	25	45	60	80	125	200	225
Length (mm)	56	70	95	112	125	136	230	230
Width (mm)	32.5	45	56	65	70	88	95	112
Height (mm)	114	141	171	221	256	256	285	300
Height of labeling panel (mm)	59	69	88	120	143	143	134	144
Neck opening (mm)	Ø 21.6		Ø 31.3			Ø 43 (Ø 31.3)		
Closure	M28		M38			M50 (M38)		

Footnote: nominal figures, subject to tolerances

## Cardoor Lube Oil Jerrycans & Bottles

The "car door" look of this exclusive MAUSER series specially designed for automotive consumer products ensures high brand recognition.

### Specific advantages

- ▶ Robust, lightweight design provides optimal protection and functionality
- ▶ Perfect for high-value automotive consumer products of all kinds
- ▶ Standard sizes and openings to fit modern filling lines, pallets, and shelves
- ▶ Generous asymmetrical recessed panels protect customizable labels
- ▶ Many different colors available

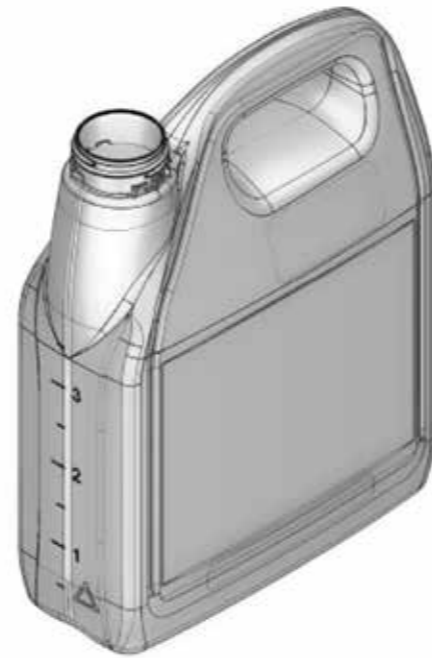
### Characteristic features

**Body:** One-piece extruded, blow-molded from HDPE with an integrated translucent viewing stripe and easy-to-read volume scale

**Standard colors:** Body: black, anthracite, silver, or white Closures: black or red

**Closure systems:** Screwable 38 mm standard or nozzle version and 50 mm spout closures with tamper-evident ring

**Options:** Different colors available for bodies and closure systems. Customized labeling applied by MPS



### Technical features

Nominal volume (ml)	1000	4000	5000
Brimful volume (ml)	1200	4950	5950
Weight (g)	60	200	220
Length (mm)	112	230	230
Width (mm)	65	95	112
Height (mm)	216	300	300
Height of labeling panel (mm)	116	136	136
Neck opening (mm)	Ø 31,3	Ø 43 (Ø 31,3)	Ø 43 (Ø 31,3)
Closure	M38	M38 (M50)	M50 (M38)

Footnote: nominal figures, subject to tolerances



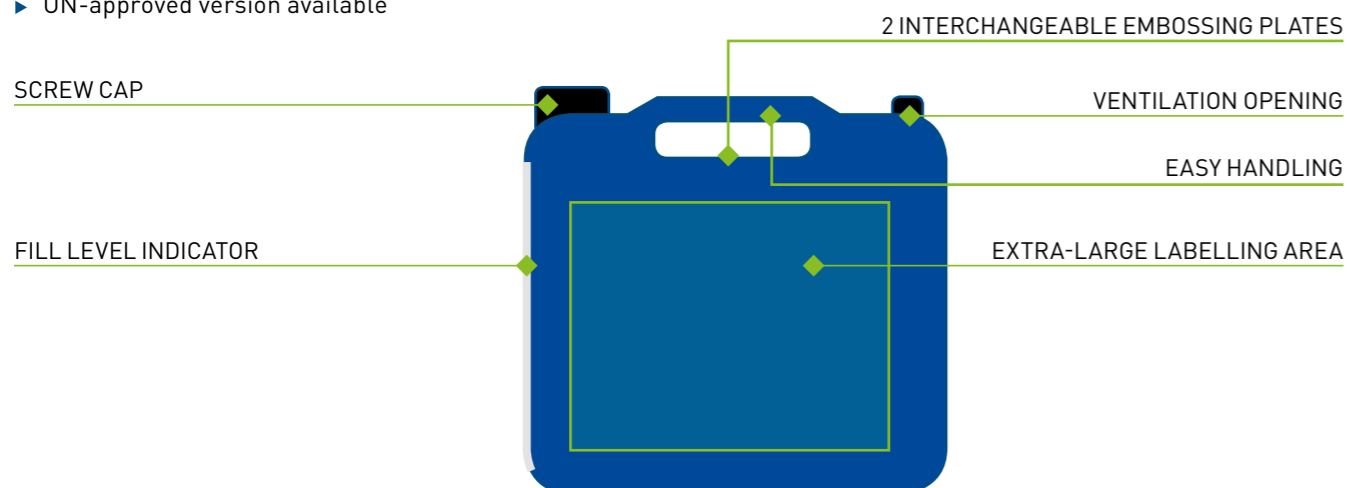


## 20 L Lube Oil Can

This 20 l MAUSER jerrycan was specially designed for lube oil.

### Specific advantages

- ▶ Virtually the only can to fit on both CP1 & CP2 pallets
- ▶ Various bungs available
- ▶ Ventilation screw for enhanced safety
- ▶ Centered handle and integrated grip recess for easy handling and steady pouring
- ▶ Slender shape for easy carrying
- ▶ Comes pre-equipped with notches for banding
- ▶ Embossing on the narrow sides makes the cans more crush-resistant
- ▶ Shaped for optimal latching when stacked
- ▶ Extra-large labeling area
- ▶ UN-approved version available



Recollection and recycling across the full packaging life cycle reuses precious materials.



## 20 L Lube Oil Can Infinity Series

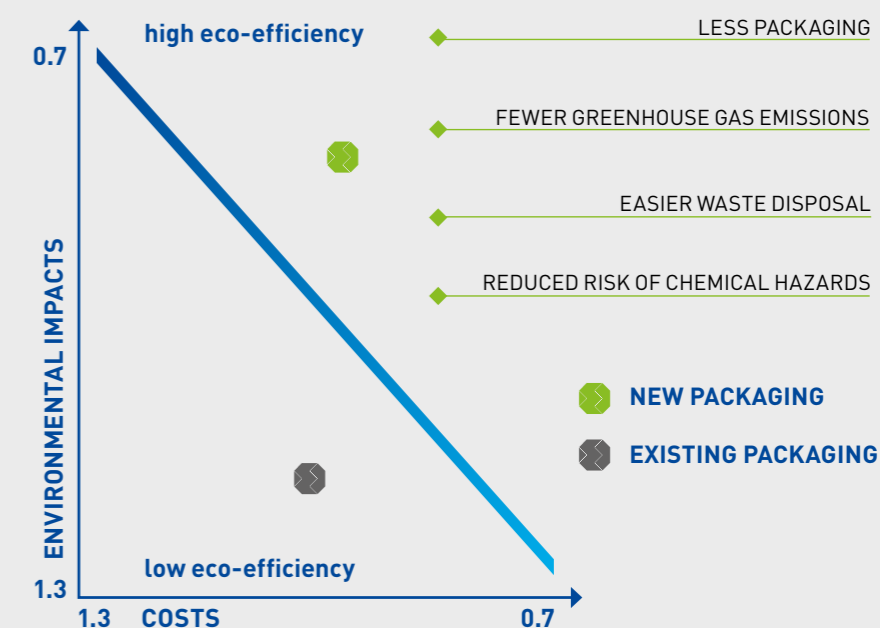
An Infinity Series™ version of the 20 l can, made from MAUSER's own high-quality PCR and suitable for any mineral oil, is now also available.

### Sustainable Solutions

Our sustainability is built on a comprehensive ECO-CYCLE concept that adheres to 5 principles:

- RENEW** Investigate promising future materials.
- REDUCE** Minimize raw material use, energy consumption, and environmental impact.
- RECOLLECT** Operate a global recollection system.
- REUSE** View reconditioned packaging as a high-quality, environmentally low-impact solution.
- RECYCLE** Finish the cycle and give materials new life.

The 20 l lube oil can is the latest addition to MAUSER's successful Infinity Series of post-consumer resin (PCR).



# CHEMICAL & AGRICULTURAL PRODUCTS

Our chemical & agricultural products offer a wide range of different products and sizes that will fit your needs.

- ▶ Round and square chemical bottles from 0.25 l up to 7 l
- ▶ Agrochemical bottles and jerrycans in different sizes from 0.25 l to 5 l







## Chemical Bottles

MAUSER's HDPE narrow- and wide-neck bottles are internationally reputed standard packaging solutions.

### Specific advantages

- ▶ Extremely safe storage for liquids, pastes, and solids thanks to excellent chemical compatibility and highly reliable closures
- ▶ Ideal for storing and transporting lab or workshop materials and samples
- ▶ Versatile and flexible, with 16 models available (50–5500 ml)
- ▶ Wide- or narrow-neck versions guarantee easy filling
- ▶ Robust and virtually unbreakable
- ▶ Space-saving square-based design for easy packing

### Characteristic features

**Body:** One-piece extruded, blow-molded HDPE, fully compliant with FDA and EU food contact regulations

#### Standard colors:

Body: natural or white

Closures: blue, red, or black

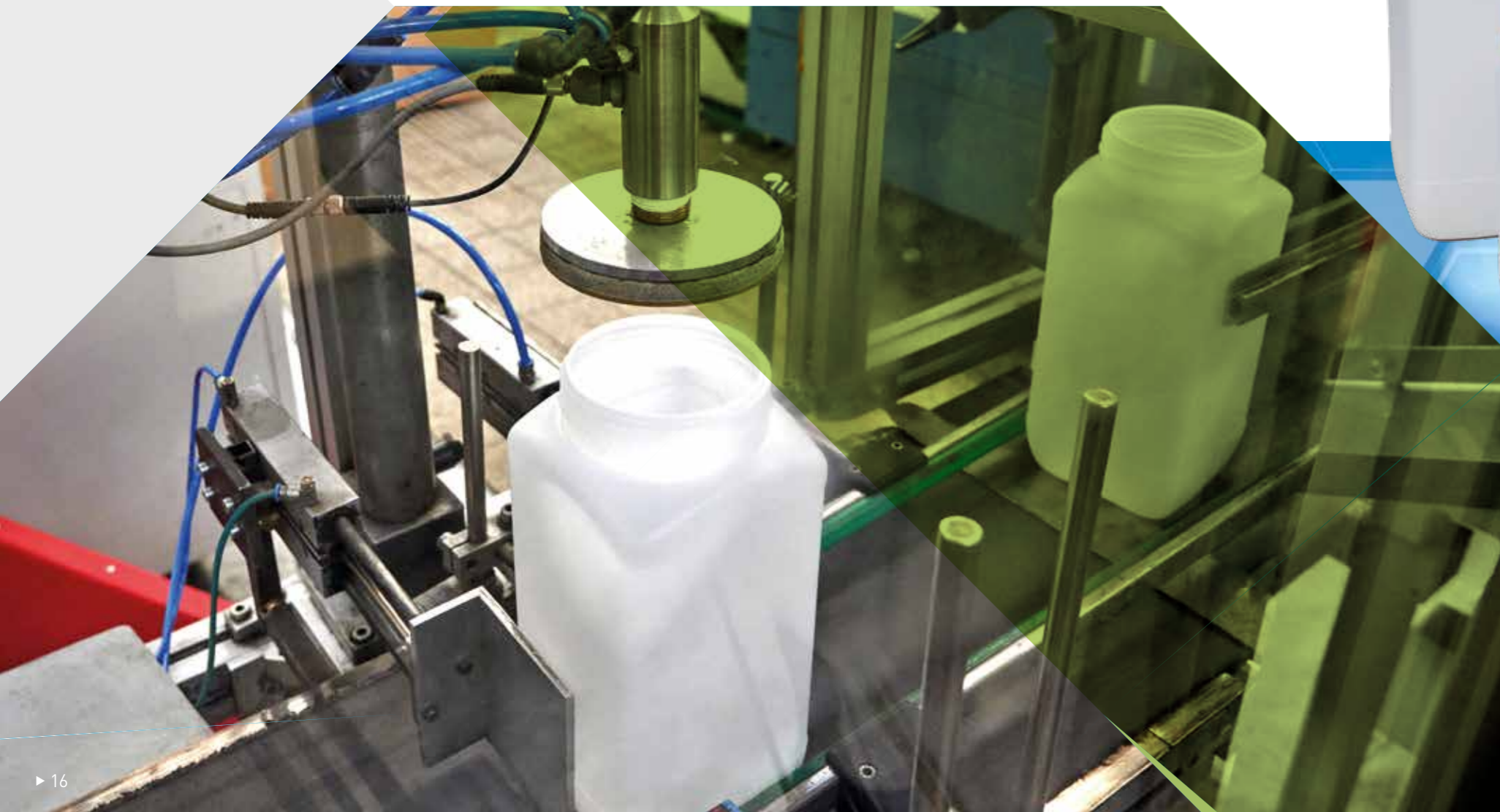
**Closure systems:** DIN-compatible PE screw cap with integrated tamper evidence ring, PE barrel gasket and/or foamed PE ring

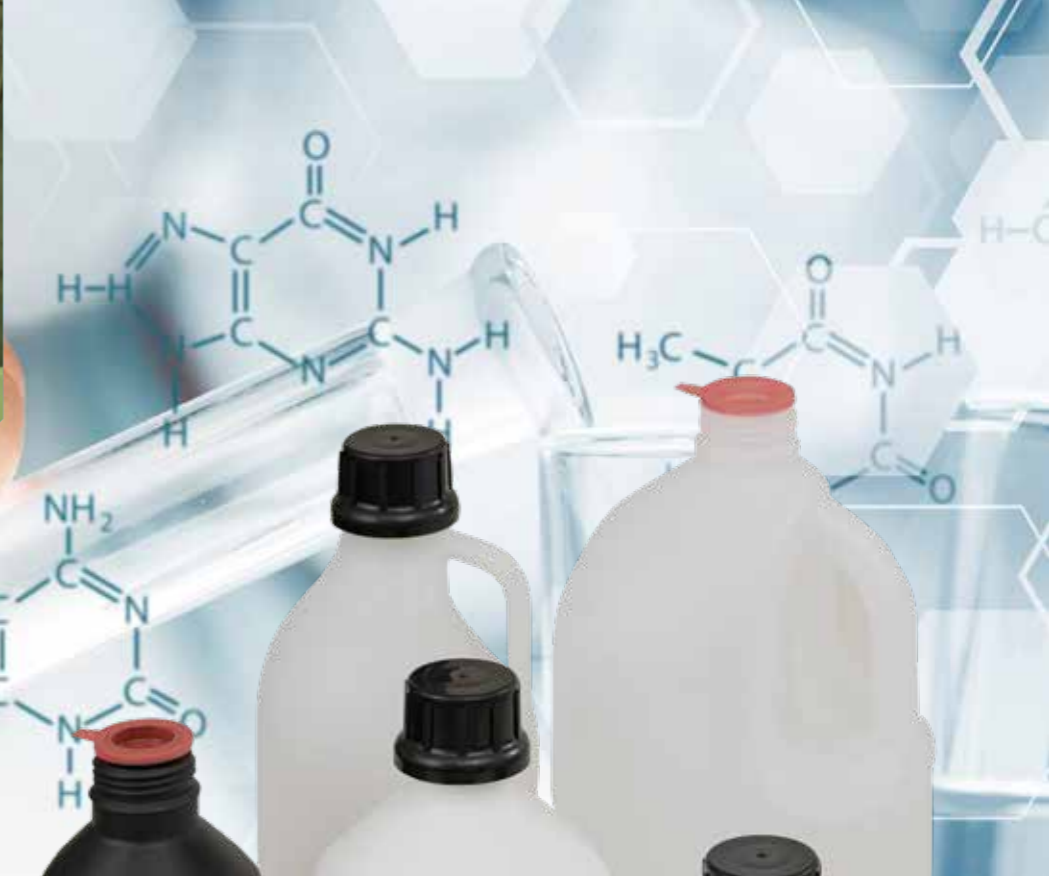
**Options:** Degassing closures. Customizable colors for bottles and closures

## Technical features

	Wide-neck bottles											
Nominal volume (ml)	100	150	250	350	500	1000	1500	2250	2500	4000	5500	
Brimful volume (ml)	140	200	320	430	650	1150	1950	2250	2900	4450	5700	
Weight (g)	16	20	28	35	45	75	100	115	130/160	250	325	
Length (mm)	45	60	60	60	75	85	111	122	122	142	150	
Width (mm)	45	60	60	60	75	85	111	122	122	142		
Height (mm)	101	86.5	128	162	161	210.5	207	210	256	292		
Height of labeling panel (mm)	46	36.5	55	89	65	114	91	75	125	149	178	
Neck opening (mm)	Ø 24		Ø 34.8			Ø 42.5			Ø 68.8			
Closure	DIN32WH		DIN45WH			DIN54WH			DIN80WH			

	Narrow-neck bottles				
Nominal volume (ml)	50	100	250	500	1000
Brimful volume (ml)	70	130	300	610	1100
Weight (g)	13	18	28	50	80
Length (mm)	40	45	60	75	85
Width (mm)	40	45	60	75	85
Height (mm)	80	108	135	170	221
Height of labeling panel (mm)	29	46	55	65	114
Neck opening (mm)	Ø 21.4		Ø 18.6		
Closure	Rd28		DIN32WH		





## UN-Approved Chemical Bottles

MAUSER's internationally reputed UN-approved wide-neck bottles for solids and narrow-neck bottles for liquids meet the highest standards for the packaging, storage, handling, and transport of highly purified or hazardous solid or liquid chemical products.

### Specific advantages

- ▶ HDPE composition ensures excellent chemical compatibility, cleanliness, and resistance to stress cracking and oxidation
- ▶ Available in a wide range of sizes
- ▶ Standard DIN-thread opening for easy handling and filling
- ▶ Rigid design and square/rectangular base for stability and easy palletization
- ▶ Robust and virtually unbreakable
- ▶ Spherical geometry for easy labeling

### Characteristic features

**Body:** One-piece extruded, blow-molded HDPE, fully compliant with FDA and EU food contact regulations

#### Standard colors:

Body: natural or white for improved light protection

Closures: blue, red, or black

#### Closure systems:

Wide-neck bottles: PE buttress-thread screw cap closure with integrated tamper-evident ring lined up with outer cap diameter that stays on the bottle after opening. Integrated PE barrel gasket or foamed PE ring

Narrow-neck bottles: S45x4 closure with integrated tamper-evident ring. PE or PTFE gasket

**Options:** Degassing closure. Customized models available for some products at specific weights



### Technical features

#### UN powder bottles

Nominal volume (ml)	125	250	500	750	1000	1500	2500	7000
Brimful volume (ml)	220	300	650	1050	1300	2200	3050	7300
Weight (g)	26	35	47	70	80	120	160	320
Length (mm)	60	75	75	97	97	127	127	168
Width (mm)	60	75	97	97	97	127	127	168
Height (mm)	106	102	166	179	211	218	278	365
Height of labeling panel (mm)	42	47	92	69	101	100	160	232
Neck opening (mm)	Ø 21.4			Ø 50			Ø 68	
Closure	KS40			KS60			KS80	
UN homologation				X2/S			X3/S	X4/S tba

#### UN liquid bottles

Nominal volume (ml)	500	1000	2500	5000
Brimful volume (ml)	600	1200	2800	5700
Weight (g)	50	88	160	300
Length (mm)	Ø 78	Ø 97	Ø 127	Ø 168
Width (mm)	Ø 78	Ø 97	Ø 127	Ø 168
Height (mm)	175	212	282	332
Height of labeling panel (mm)	87	101	144	123
Neck opening (mm)	28			
Closure	S45x4			
UN homologation	X1.3/250*	X1.4/250*	X1.4/250*	X1.5/250*

Footnote: nominal figures, subject to tolerances \* possibility of special UN approval for nitric acid 70%



## Agrochemical Bottles & Jerrycans

MAUSER's optionally co-extruded bottles and C95 jerrycan was specially designed for agricultural applications and is available in two versions: either as PE - monolayer or as multilayer with barrier layer.

### Specific advantages

- ▶ Screw cap instead of foil seal
- ▶ Special shape reduces spillage and ensures easy, steady pouring
- ▶ Lightweight design and movable handle for even easier handling
- ▶ Available in three practical sizes: 3 l, 4 l, & 5 l
- ▶ Four embossable areas
- ▶ Level indicator
- ▶ Large labeling areas



### Technical features

	agrochemical bottle	agrochemical bottle	agrochemical bottle	C95 agrochemical Jerrycan	C95 agrochemical Jerrycan	C95 agrochemical Jerrycan
Nominal volume [ml]	250	500	1000	3000	4000	5000
Weight [g]	35	46	83	180	200	220
Width [mm]	62	69	88	190	190	19
Height [mm]	126	186	234	241	262	313
Neck opening [mm]	50	50	50	63	63	63
Closure	TB50	TB50	TB50	Gifab 63	Gifab 63	Gifab 63



## Customized Packaging Solutions

MAUSER's high-quality, customizable recyclable packaging solutions enable B2B and end customers to transport and handle the filled products safely and ergonomically. The product design together with specific customer-designed labeling supports product value and maximizes on-shelf appeal.

### Specific advantages

- ▶ Made from blow-molded HDPE to meet FDA food contact requirements
- ▶ Mostly UN-DOT-approved with no need for outer pack cartons
- ▶ Available with D-handles, integrated handles, scoop bottoms, and top-section tags
- ▶ Standard (white or natural) or customized colors
- ▶ A wide range of available volumes (< 1 l to 20 l)
- ▶ Standard or customized designs to meet special requirements
- ▶ Tested in our own facilities
- ▶ Extensive closure options:
  - ▶ DIN and venting cap
  - ▶ Tamper-evident cap
  - ▶ Flexspout
  - ▶ K50 bottle screw cap for induction sealing
- ▶ Fluorination possible
- ▶ Comprehensive decorative options, including:
  - ▶ Silk-screen printing
  - ▶ In- or offline labeling
  - ▶ PE stretch and shrink sleeving
  - ▶ Level indicator and scale
  - ▶ Embossing



## Certification

- ▶ All materials in our products are fully certified
- ▶ MAUSER is ISO 9001, ISO 14001, and ISO 18001 certified



## Process overview

MAUSER's team of experienced designers, salespeople, and blow molding experts can also develop and produce customized packaging solutions for you.

## Vizualization

- ▶ 3D-modeling by CAD
- ▶ Product prototyping

## Production

- ▶ Brand identity is established via embossing or labeling
- ▶ Different types of blow molding machine equipment to produce various types and sizes of blow-molded cans and bottles
- ▶ Optional multilayer solutions provide protection from aromas, oxygen, and UV rays

## Logistics

- ▶ Transport and logistics concepts tailored to customer needs
- ▶ Full technical support is provided throughout the supply process



[info@mauserpackaging.com](mailto:info@mauserpackaging.com)  
[mauserpackaging.com](http://mauserpackaging.com)

